



# CB 316 HC

## LIST OF THE EXPLODED VIEWS



*SHELL ASSY CB 316A HC / CB 316W HC*

*SHELL ASSY CB 316A HC Drain Pump*

*COOLING SYSTEM*

*HYDRAULIC CIRCUIT CB 316A HC / CB 316W HC*

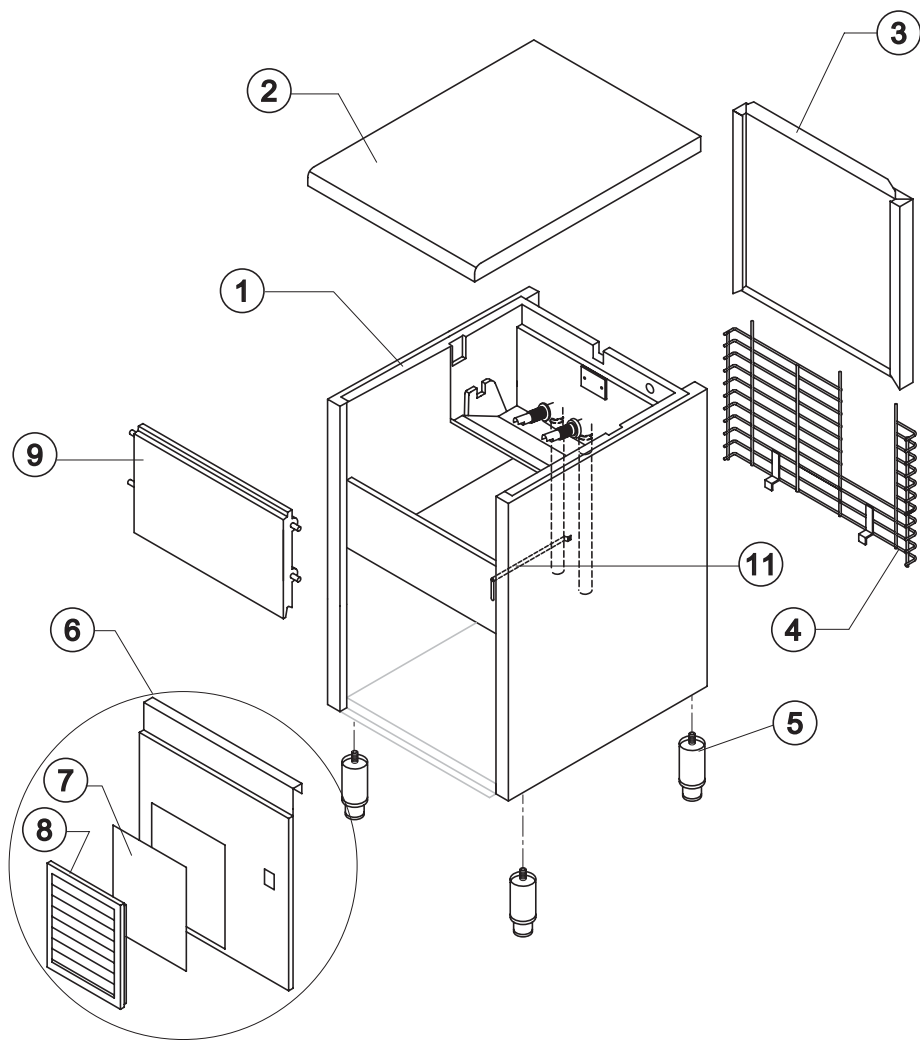
*HYDRAULIC CIRCUIT CB 316A HC Drain Pump*

*ELECTRIC PARTS*



# CB 316 HC

# SHELL ASSY CB 316A HC/CB316W HC



Ref.	Spare Description	Code
1	Foamed Cabinet Assy	See Table
2	Top Assembly	C22692
3	Rear Panel Assembly	C21182
4	Rear Grid	D12006
5	Adjustable Foot	20613
6	Front Grid Panel	Current Version C221701
6	Front Grid Panel	Till s/n. 883630 C22507
7*	Filtering Panel	18106
8	Frame + Grid & Filter	C10205
9	Door Assembly	C10297
11	Bulb-holder Pipe	20522

### Ref. 1 - Foamed Cabinet Assy

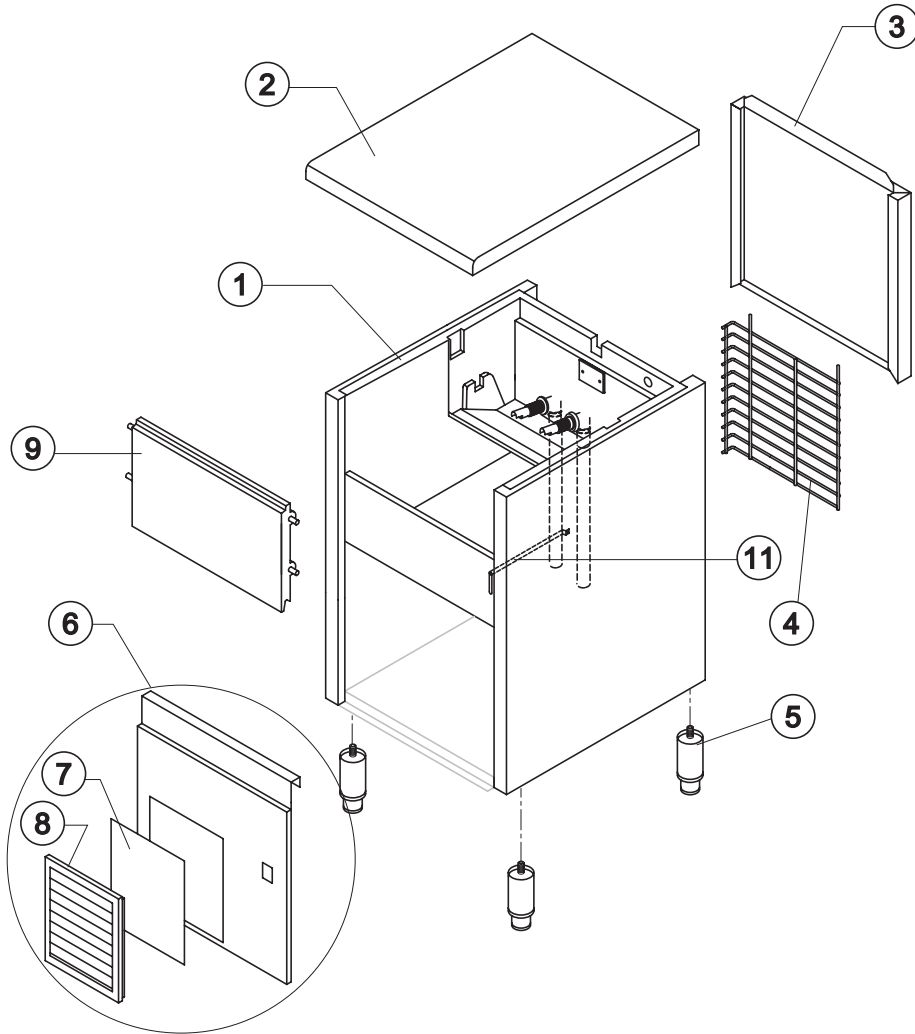
Condensation	Code
Air	C11227A
Water	C11227W

Rev. 02 - 12/03/2019



# CB 316 HC

# SHELL ASSY CB 316A HC DP



Ref.	Spare Description	Code	
1	Foamed Cabinet Assy	C11227DP	
2	Top Assembly	C22692	
3	Rear Panel Assembly	C21182	
4	Rear Grid	D12101	
5	Adjustable Foot	20613	
6	Front Grid Panel	Current Version	C221701
6	Front Grid Panel	Till s/n. 883630	C22507
7*	Filtering Panel		18106
8	Frame + Grid & Filter		C10205
9	Door Assembly		C10297
11	Bulb-holder Pipe		20522

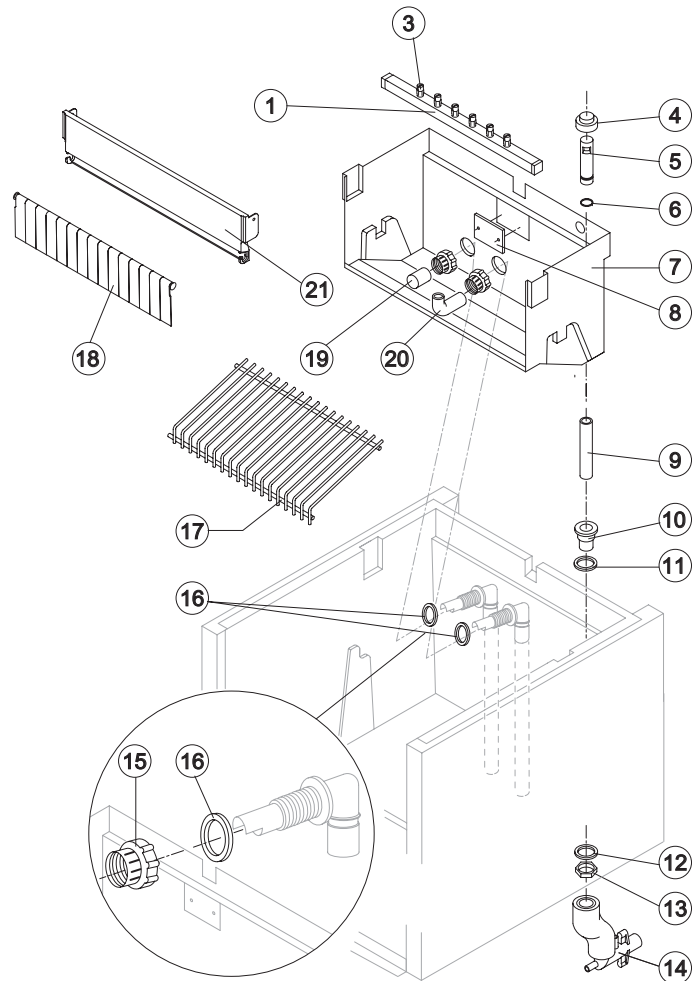
Rev. 02 - 12/03/2019





# CB 316 HC

# HYDRAULIC CIRCUIT CB 316A HC/CB316W HC



### Common Parts

Ref.	Spare Description	Code
1*	Sprayers Bar Assembly	See Table
3	Sprayer	D20002
4*	Overflow Cap	10305
5*	Overflow Pipe	10133
6*	OR Gasket for Overflow Pipe	20233
7	Inner Basin	10253
8	Slide Keep Plate	10009
9*	Overflow Pipe	13107
10	Water Outlet Nipple	10472
11	Silicone Gasket	13219
12	Semirigid Polyethylene Gasket	13007
13	Bin Discharge Nut	10096
15	Fittings Locking Ring	10405
16	Gasket for Pump Suction/Delivery Pipes	13220
17	Ice Cubes Slide	See Table
18	Rod with Flags	10534
19*	Pump Suction Filter	20005
20	Sprayers Feeding Pipe	13005
21	Flags ABS Support	10526

### Parts for Air Cooled Version Only

Ref.	Spare Description	Code
14	Discharges Manifold	C10006

### Parts for Water Cooled Version Only

Ref.	Spare Description	Code
14	Discharges Manifold	C26452

### Ref. 1\* - Sprayers Bar Ass.

Kind of Cube	Code
18 g. (Standard)	C20029
33 g.	C20155
13 g.	C20189
42g.	C20155

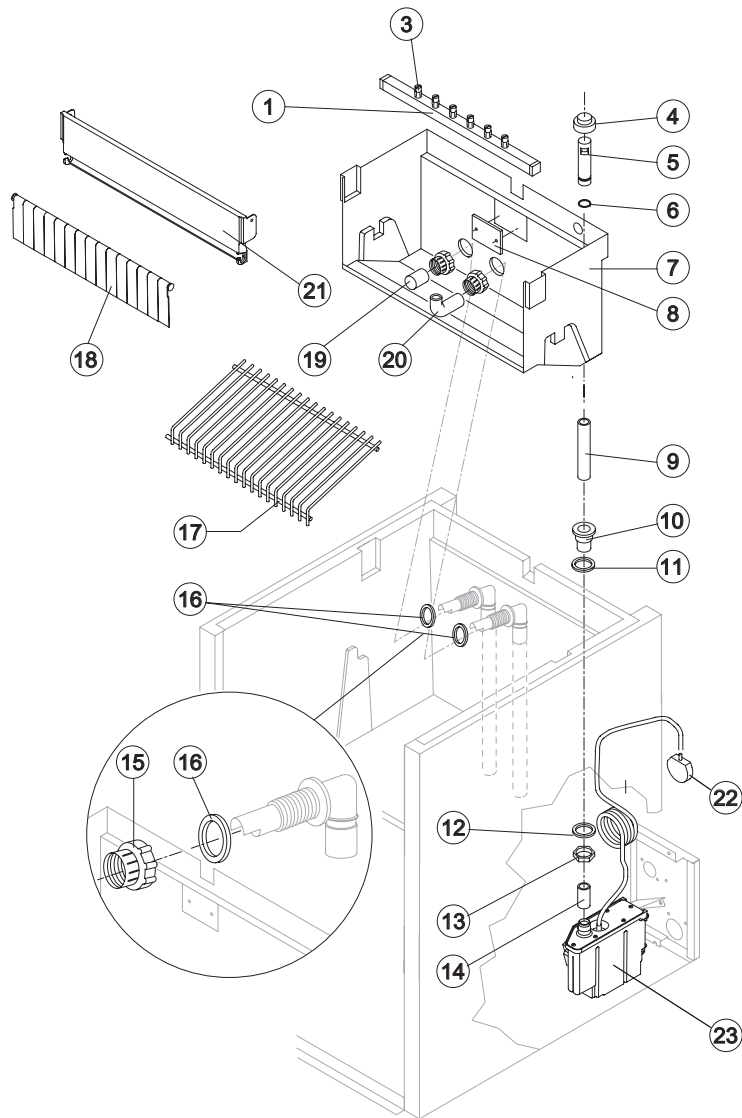
### Ref. 17 - Ices Cube Slide

Kind of Cube	Code
18 g. (Standard)	D12008
33 g.	D12030
13 g.	D12038
42g.	D12030



# CB 316 HC

# HYDRAULIC CIRCUIT CB 316A HC DP



Ref.	Spare Description	Code
1*	Sprayers Bar Assembly	See Table
3	Spruzzatore	D20002
4*	Overflow Cap	10305
5*	Overflow Pipe	10133
6*	OR Gasket for Overflow Pipe	20233
7	Inner Basin	10253
8	Slide Keep Plate	10009
9*	Overflow Pipe	13107
10	Water Outlet Nipple	10472
11	Silicone Gasket	13219
12	Semirigid Polyethylene Gasket	13007
13	Bin Discharge Nut	10096
14	Bin Discharge-Drain Pump Connection	C13175100
15	Fittings Locking Ring	10405
16	Gasket for Pump Suction/Delivery Pipes	13220
17	Ice Cubes Slide	See Table
18	Rod with Flags	10534
19*	Pump Suction Filter	20005
20	Sprayers Feeding Pipe	13005
21	Flags ABS Support	10526
22	Drain Pump Pressure Switch	C231230
23	Drain Pump	RC231225

### Ref. 1\* - Sprayers Bar Ass.

Kind of Cube	Code
18 g. (Standard)	C20029
13 g.	C20189

### Ref. 17 - Ices Cube Slide

Kind of Cube	Code
18 g. (Standard)	D12008
13 g.	D12038



# CB 316 HC

# ELECTRIC PARTS

## CB 316A HC / CB 316W HC / CB 316A HC DP

### Common Parts

Ref.	Spare Description	Code	
3*	Fan cycle switch	231123	
4*	Bin Thermostat	R23005	
5*	Evaporator Thermostat	R23591	
6*	Timer	Till s/n. 883630	See Table
7*	Green Light Switch (On-Off)	Till s/n. 883630	23327
11*	Pump Assy		C231016
13	Electronic Timer / On-Off (AWS)	Current Version	R231154

### Parts for Air Cooled Version Only

Ref.	Spare Description	Code
1*	1 Way- Water Inlet Valve	23115
2	Fan Motor + grid + conveyor Assembly	231322
8	Anti Radio Interference Filter	C23459

### Parts for Wayer Cooled Version Only

Ref.	Spare Description	Code
8	Anti Radio Interference Filter	C23457
9*	Safety Thermostat	C23114
10	Fan Motor	23029
12*	2 Ways Water Inlet Valve	23116

### Ref. 6\* - Timer - till s/n. 883630

Voltage	18g Cube	33g Cube	13g Cube	42g Cube
220-240V ~ 50Hz	23222	23248	23247	23780

